



# RFA-4009 Series

## Open Frame Piston Action Crimp Handle

**WARNING:** This tool is not insulated against electrical shock, and should be used with electrically insulated gloves. This tool is not to be used for purposes other than intended.

This hand tool **MUST NOT** be used in any powered “press” as defined by OSHA at CFR 1910.211 (46).

*29 CFR 1910.211(d)(46) states: “Press’ means a mechanically powered machine that shears, punches, forms or assembles metal or other material by means of cutting, shaping, or combination dies attached to slides. A press consists of a stationary bed or anvil, and a slide (or slides) having a controlled reciprocating motion toward and away from the bed surface, the slide being guided in a definite path by the frame of the press.”*

### GENERAL INFORMATION

This RF Industries crimping tool is designed to crimp ferrules, coaxial connectors, contacts, terminal lugs and splices to various sizes of cables and wires. Interchangeable dies are available for this tool, appropriate for use with specific connectors, contacts and terminals. Refer to specifications for each die set for cavity dimensions. For more permanent installations these interchangeable dies may be locked in place with removable lock pins supplied with each die set.

### INSTALLING DIES

1. Align die halves so that rail slot is on bottom. (Fig. 1)
2. Place dies over rail in crimp handle.
3. Push shanks of the die set into the holes in the tool until they snap into place. There will be no gap between the die body and tool body. (Fig. 2)
4. Close handle to verify that dies are properly seated.
5. The tool is now ready for use.

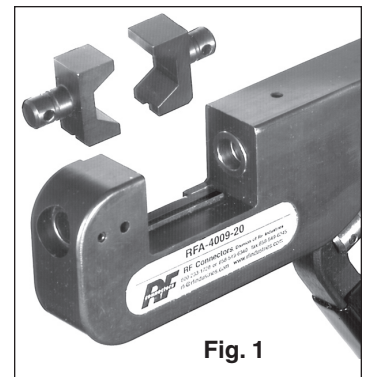


Fig. 1

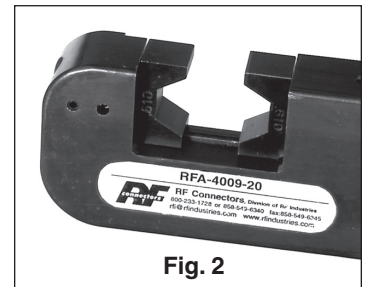


Fig. 2

### PERMANENT DIE INSTALLATION

If you do not anticipate the need for frequent die changes, you may wish to install the die set with lock pins.

1. Install dies in crimp handle as described above.
2. Insert lock pins (supplied with the die set) through holes and flush with outside surfaces in crimp handle. Push the long pin through the tool body and the shorter pin through the push rod. (Fig. 3)

**CAUTION:** Make sure that all lock pins have been removed from the tool before attempting to remove dies from the crimp handle! Failure to do so may result in serious damage to the tool and is not covered by the warranty.

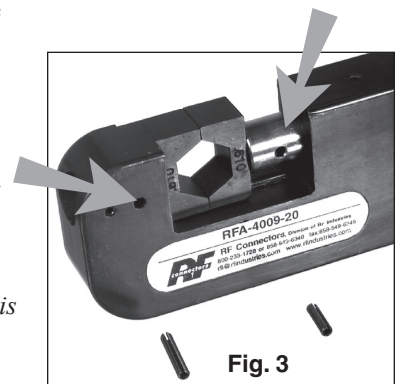


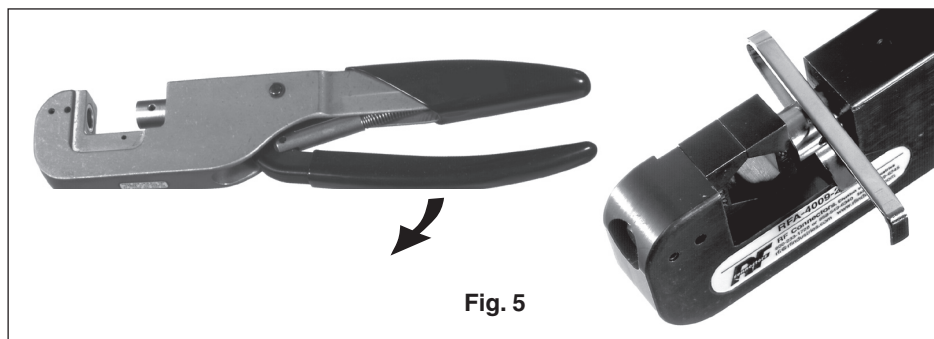
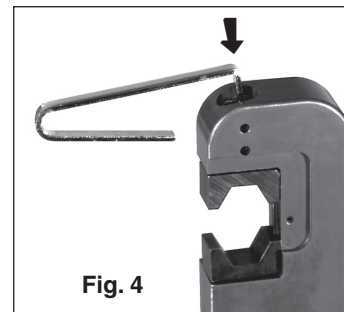
Fig. 3

## DIE REMOVAL

**CAUTION:** Make sure that all lock pins have been removed from the tool before attempting to remove dies from the crimp handle! Failure to do so may result in serious damage to the tool and is not covered by the warranty.

1. Remove upper die: With crimp handle open, place the die removal tool against the end of the front die and tap with a small hammer. (Fig. 4) The die will be released from the front die holder and can now be easily removed by hand.
2. Remove lower die: Close the crimp handle and slide the die removal tool between the die and tool body. Squeeze handle and release quickly with a snapping action. This will pull the die free and it can then be removed by hand. (Fig. 5)

The die removal tool is supplied with the crimp handle, but if it is not available, a metal rod approximately 3/16" diameter and at least 1 3/4" long may be used.



## CARE INSTRUCTIONS

This is a precision crimping tool and should be handled with care. We strongly recommend that you:

- DO NOT immerse tools and dies in cleaning solution. Wipe the tool and dies clean with a soft cloth.
- DO NOT spray oil or other lubricant into the tool. With proper care this tool should not require additional lubrication.
- DO NOT attempt to disassemble this tool or make repairs. This could void your product warranty.

RF Connectors designs and manufactures other custom tool kits containing components required for special applications. Please contact your distributor or the RF Connector Sales Department at 1-800-233-1728 or email to [rfi@rfindustries.com](mailto:rfi@rfindustries.com)

### LIMITATION OF LIABILITY

RF Industries, parent company to RF Connectors, is not liable for damages of any kind resulting from the use or misuse of any of its products. Owners and users of RF Industries products assume full responsibility for instructing their employees in the proper and safe use of such products.

### LIMITED WARRANTY

RF Industries warrants each new product sold by it to be free from defects in material and workmanship under normal use and service. RF Industries' obligation under this warranty is limited to the free correction or, at RF Industries' option, the refund of the purchase price of any such product that proves defective in normal service within ninety (90) days after delivery to the first user. The product is to be returned to RF Industries with all transportation charges prepaid. It shall also appear to RF Industries' satisfaction, after RF Industries' inspection, to have been defective in material or workmanship. It is understood that RF Industries products are not consumer products. This warranty shall not cover any damage to any product that, in the opinion of RF Industries, was caused by abnormal wear, misuse, improper operation, tampering, neglect or accident. This warranty is in lieu of all other warranties expressed or implied. No warranty, expressed or implied, is made or authorized to be made or assumed with respect to products of RF Industries other than those herein set forth.