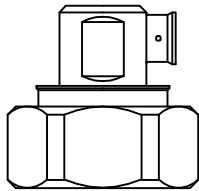


# CABLE ASSEMBLY INSTRUCTIONS

## RFD-1610-HPL

CONNECTOR BODY



SPACER



(NTS)

SCREW CAP

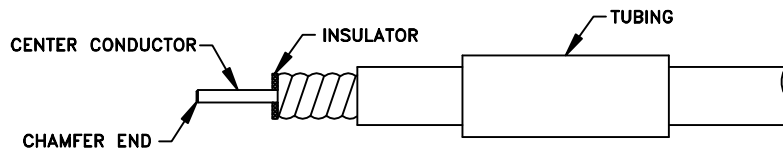


TUBING

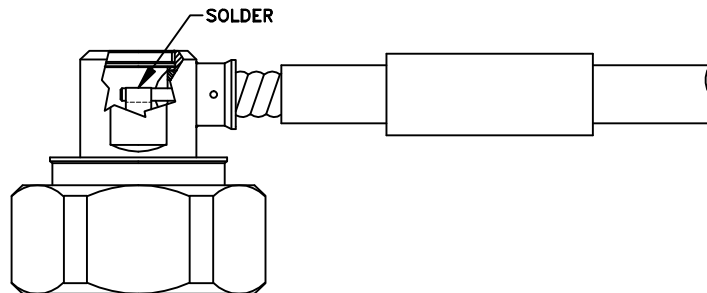


(NTS)

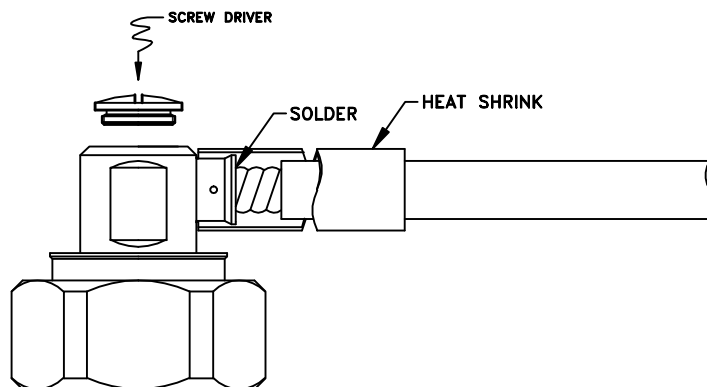
STEP 1



STEP 2



STEP 3



Step 1: Strip cable to dimensions shown in catalog or on outline drawing. All cuts are to be clean and square. Do not nick center conductor when cutting. Chamfer end with a file to break sharp corner smooth for entry into contact slot. Slide heat shrink tubing onto cable. Slide spacer onto cable center conductor.

Step 2: Insert cable into connector body and solder cable center conductor to center pin. Cable center conductor should not extend past outer diameter of connector pin.

Step 3: Slide the tubing into place and heat shrink. Tighten "screw cap" using a flat head screw driver.

RFD-1610-HPL AP.DWG

**RF CONNECTORS**

08/24/16

7610 Miramar Road, San Diego, CA 92126-4202 - (858) 549-6340  
(800) 233-1728 - Fax (858) 549-6345 E-mail: rfi@rfindustries.com - www.rfindustries.com

CZ